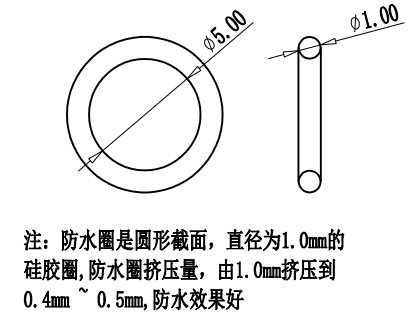
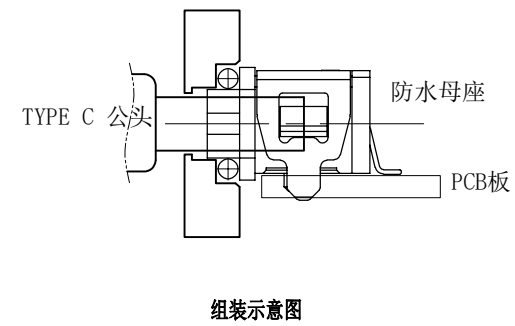


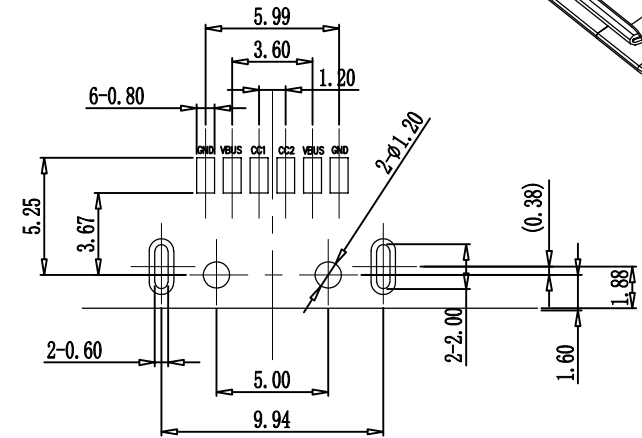
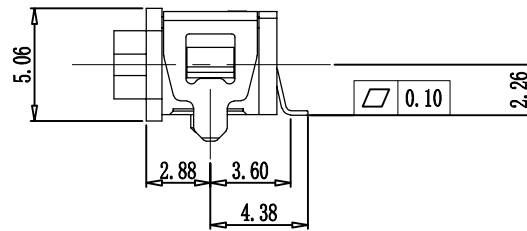
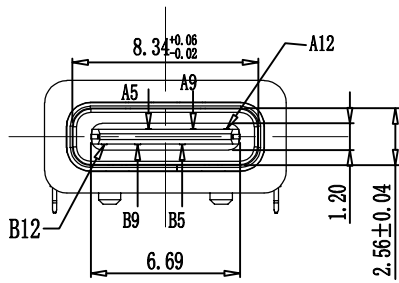
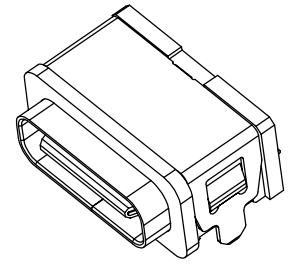
NOTES:

SPECIFICATION:

1. CURRENT RATING: 3.0A MAX
2. DIELECTRIC WITHSTAND VOLTAGE: 100VAC
3. TEMPERATURE RANGE: -30 ° C ~ 85 ° C
4. CONTACT RESISTANCE: 40 MILLIONHM MAX
5. INSULATION RESISTANCE: 100 MEGOHMS MIN.
6. INSERTION FORCE : 5N~20N
7. UNMATING FORCE: 8N~20N
8. DURABILITY:5000 CYCLES

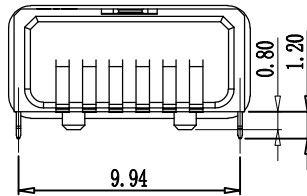
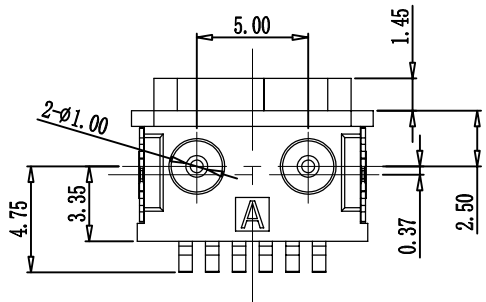


A5	CC1	B12	GND
A9	VBUS	B9	VBUS
A12	GND	B5	CC2
PIN	SIGNAL NAME	PIN	SIGNAL NAME



RECOMMENDED PCB LAYOUT (TOP VIEW)

THICKNESS T=1.0mm  
DEFAULT TOLERANCE+/-0.05



8					TOLERANCE UNLESS SPECIFIED				
7									
6					WITHIN 1.5:±0.1mm OVER				
5					1.5: ±0.2mm	ISSUE	DATE	DESCRIPTIONS	APPD.
4					ANGLES:±2°				
3	SHELL	STAINLESS STEEL	1	Sn PLATED	TITLE: USB JACK	UNIT:mm		DRWG. NO.:	
2	TERMINAL	BRONZE	6	Au PLATED	MODEL NO: USB-20C-F-06SF07	SCALE:4:1		DWN	
1	HOUSING	PA9T	1	BLACK	XIAMEN JINBEILI ELECTRONICS CO.,LTD				
NO.	DESCRIPTION	MATERIAL	QTY	PLATING					
						APPD.			